

Elisi Freestanding Contour Spa Bath [14 Jets]

Product Code: **EL1700FSCNW**



Spa shell



Pump, jets & fittings
[refer to decina.com.au]

This luxury spa bath is operated by remote control, while the 750-watt heat boost pump is installed inside the bath's perimeter creating an ultra-thin, streamlined, finish.

- AS/NZ Standard 2023:1995
- Adjustable self-supporting feet
- Lumbar support
- 6 x flush C-Lenda™ centro jets
- 8 x flush C-Lenda™ mini jets
- 1 x flush C-Lenda™ suction
- Spa Key remote control
- 750 watt spa key heat boost pump
- The spa pump is located at the end of the bath directly under the perimeter
- Suitable for dual bathing

PRODUCT SPECIFICATIONS

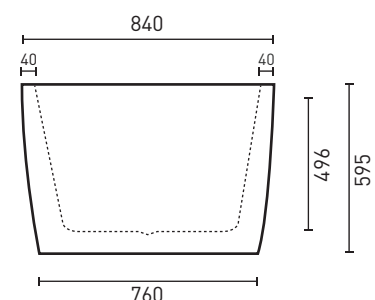
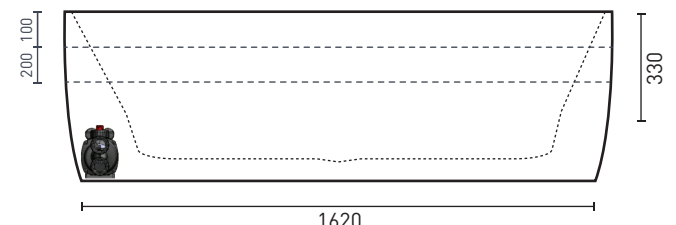
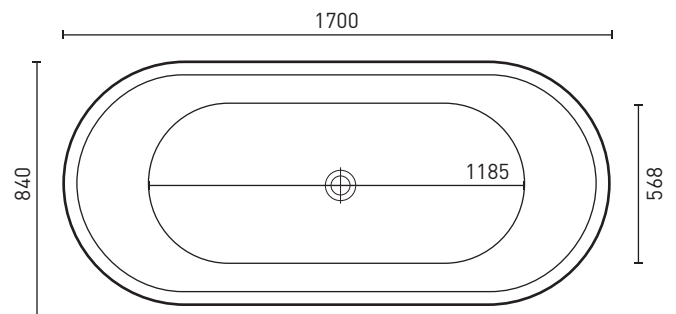
Colour:	High gloss white
Material:	Premium sanitary grade acrylic
Length:	1700mm
Width:	840mm
Height:	595mm
Capacity:	195L [200mm below the bath rim]
Bath Type:	Freestanding spa bath
Waste Position:	Centre
Net Weight:	60kg

Spa Key Heat Boost Pump	6102
Voltage	240V
Power	750W
Heater	700W
Current	7.5A
Flow Rate	350LPM

OPTIONAL ACCESSORIES

- 40mm Removable Pop-up Waste *Chrome* **WA001**
White Gloss **WA002**, *Black Matte* **WA003**
- Flexible Bath Connector with Pop-up Waste *Chrome* **OWA004**
- Flexible Bath Connector *Cap & Lining only* **OWA005**
- Sia Headrest *Black Curved* **SY242-B**

The Elisi Contour freestanding spa bath is supplied fully plumbed & with a 10AMP, 50HZ, 240V pump fitted with a 3-pin power plug. It will be required to either be hardwired or plugged into a suitable power point. For further guidance on the location of the power point & any other electrical requirements, please discuss with your licensed electrician. Electrical installation must comply with AS:3000 - electrical wiring rules. **Please note for any future maintenance on the spa bath, the waste will need to be disconnected and bath removed.**



DECINA
DISCOVER INDULGENCE

DECINA.COM.AU 1300 DECINA   